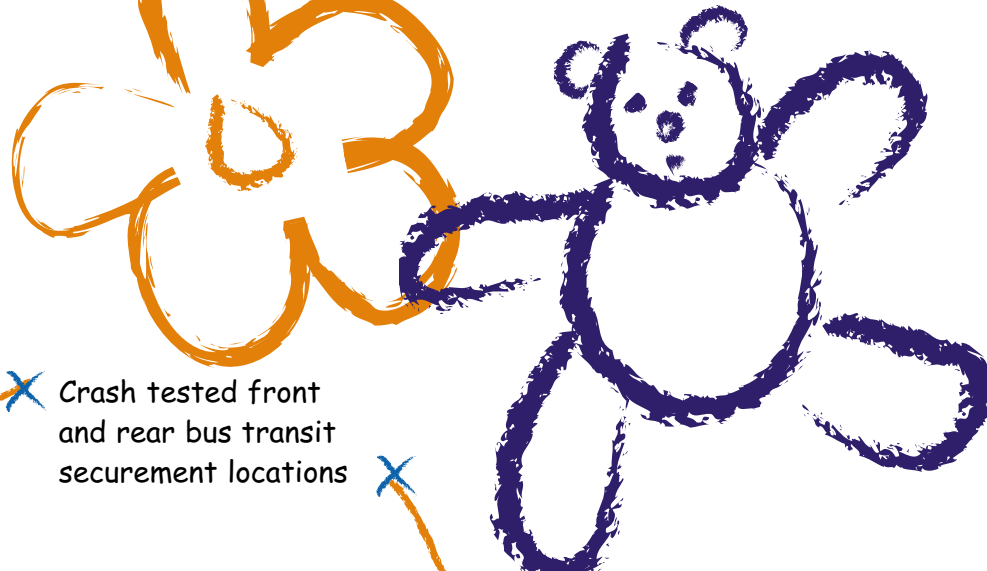


Zippie® TS

Tilt-in-Space



- ✕ Tilts in space up to 45° to assist in kids' positioning needs.
- ✕ Versatile design meets most functional needs.
- ✕ Growable in width and depth to last a long, long time.
- ✕ Crash tested for safe bus transportation.
- ✕ Sunrise quality for trouble-free dependability.

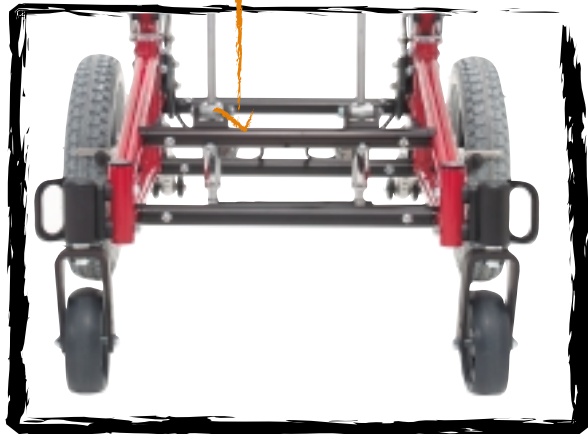


X Crash tested front and rear bus transit securement locations

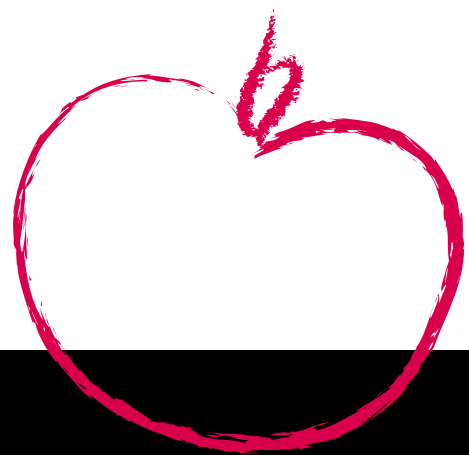
X Width-adjustable strut tube assembly makes growing the chair easy



Easily accessible attendant foot lock X



Back post tubes adjust in angle, fold forward for transport, move fore and aft for potential seat depth growth X



X Sunrise Medical Transit System is an option on the Zippie TS.

Armrest Options

Removable Single Post Armrest

Narrowest profile makes accessing wheels easy.



- ✗ Standard and Tall option
- ✗ 3 height locations
- ✗ Foam pad or Kidz pad (Kidz pad like desk pad)

Removable, Height-Adjustable Single Post Armrest

Easily adjusted to change armrest pad height



- ✗ Adult, Kidz or Peds sizes
- ✗ Desk and Full Pad options
- ✗ Includes Front Transfer Tube and Rear Clothing Guard

Height-Adjustable Flip-Back Armrest

Standard armrest with Zippie TS



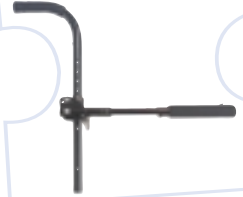
Height-Adjustable Locking Flip-Back Armrest

Locks when lowered for secure tray attachment.



Height- and Depth-Adjustable Flip-Back Armrest

Locks when lowered. 4" length adjustment accommodates seat depth growth.



- ✗ Short foam, Long foam, Desk or Full Pad option

Footrest Hanger Options

Swing-Away Hanger with Extension Tube

Swings away and lifts up and off for transfers



- ✗ 3-length extension tube options
- ✗ Composite footrest plate and leg straps
- ✗ Available in 60° or 70° options

Swing-Away Front Drilled Footrest Hanger

Strongest swing-away option includes aluminum angle-adjustable footrest plate and leg strap.



- ✗ Available in 70°, 80° and 90° options
- ✗ High mount clamp-on footrest plate option
- ✗ 2 hanger tube extension length options.

Heavy-Duty Front Drilled Lift-Off Footrest Hanger

Strongest hanger option available. Lifts straight up and off for transfers.

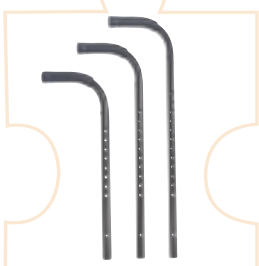


- ✗ Heavy-duty includes angle adjustable footrest plates with leg strap
- ✗ Available in 70°, 80° and 90° options
- ✗ 2 hanger tube extension length options
- ✗ High mount clamp-on footrest plate option

Back Posts & Backrests

Stroller Handle Back Post

Designed for additional strength and adaptive seating



- ✗ Low, Medium or Tall post option
- ✗ Posts adjust fore and aft for potential growth
- ✗ Posts fold forward for transport
- ✗ Removable stroller handle extension available

Swing-Away Height-Adjustable Stroller Handle Back Post

Compact design for adaptive seating



- ✗ Push handles swing in when not in use
- ✗ Push handles adjust 5 3/4" in height
- ✗ Posts move fore and aft for potential growth
- ✗ Posts fold forward for transport

✗ Removable stroller handle extension



✗ Shown with Jay Standard Conventional seating.

Zippie® TS Specifications

A. FRONT SEAT HEIGHT

CASTER FORK	MOUNTING HOLE	CASTER									
		5" POLY	5" x 1.5" Semi PNEU	6 PNEU	6" Semi PNEU	6" x 1.5" Semi PNEU	8" PNEU	8" POLY	8" x 1.5" Semi PNEU	8" x 2" PNEU	8" x 2" W/Airless
5.25"	TOP	16"	n/a	16.5"	16.5"	n/a	n/a	n/a	n/a	n/a	n/a
	BOTTOM	17"	17"	17.5"	17.5"	17.5"	18.5"	18.25"	n/a	n/a	n/a
6"	TOP	16.75"	n/a	17.25"	17.25"	n/a	18.25"	18"	n/a	n/a	n/a
	BOTTOM	17.75"	17.75"	18.25"	18.25"	18.25"	19.25"	19"	n/a	n/a	n/a
7"	TOP	17.75"	n/a	18.25"	18.25"	n/a	19.25"	19"	n/a	n/a	n/a
	BOTTOM	18.75"	18.75"	19.25"	19.25"	19.25"	20.25"	20"	n/a	n/a	n/a
8 x 2"	TOP	n/a	n/a	n/a	n/a	n/a	18.5"	n/a	18.25"	18"	18"
	BOTTOM	n/a	n/a	n/a	n/a	n/a	19.5"	n/a	19.25"	19"	19"

* Quoted (calculated) Standard Fork Stem

B. REAR SEAT HEIGHT

AXLE & FRAME HOLE LOCATION	REAR WHEEL								
	12" PNEU & w/Airless	16" PNEU & w/Airless	18" PNEU & w/Airless	20" PNEU & w/Airless	20" FP POLY	22" PNEU & w/Airless	22" FP POLY	24" PNEU & w/Airless	24" FP POLY
BRACKET UP 1 & 2	n/a	13.25"	14.75"	15.75"	15.75"	16.75"	16.5"	17.5"	17.25"
BRACKET UP 2 & 3	n/a	12.25"	13.75"	14.75"	14.75"	15.75"	15.5"	16.5"	16.25"
BRACKET DOWN 1 & 2	n/a	14.25"	15.75"	16.75"	16.75"	17.75"	17.5"	18.5"	18.25"
BRACKET DOWN 2 & 3	n/a	13.25"	14.75"	15.75"	15.75"	16.75"	16.5"	17.5"	17.25"
12" AXLE PLATE	16.75"	n/a	n/a	n/a	n/a	n/a	n/a	n/a	n/a
EXTENDED AXLE, DOWN	n/a	13.75"	15.5"	16.25"	16.25"	17.5"	17.25"	18.25"	18"

C. ARM REST HEIGHT

Standard Kidz	Kidz Arm		Single-Post Height-Adjustable Peds Arm		Flip-Up		Adjustable Locking Flip-Up		*Length-Adjustable Locking Flip-Up			
	Foam Pad	Desk Pad	Foam Pad	Desk Pad	Foam Pad	Desk Pad	Foam Pad	Desk Pad	Foam Pad	Desk Pad		
Min	5.125"	6"	n/a	9.125"	Min	6.5"	n/a	8"	n/a	8"	8.875"	
	6.125"	7"	n/a	14.125"	Max	13.5"	n/a	14"	n/a	14"	14.875"	
Tall Kidz	6.125"	7"	Kids Arm		Min	6.5"	n/a	8"	n/a	8"	8.875"	
			n/a	10.75"								Max
Min	6.125"	8"	n/a	15.75"	Medium	Min	6.5"	n/a	16"	n/a	16"	16.875"
Max	7.125"	8"	n/a	15.75"	Long	Min	6.5"	n/a	18"	n/a	18"	18.875"

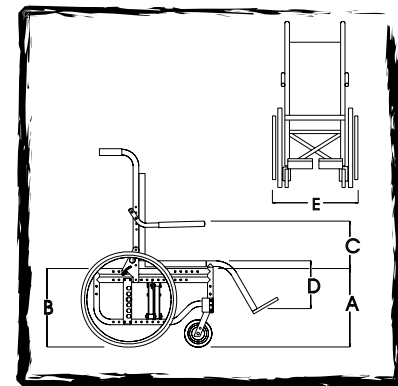
*Note Short Armrest Pad Length 10" to 14"
Long Armrest Pad Length 12" to 16"

D. FOOTREST HANGER ADJUSTMENT RANGE

TYPE	EXTENSION	FOOTREST PLATE TO SEAT TUBE		RAILFOOTREST PLATE HANGER TOP	
		MIN	MAX	MIN	MAX
FRONT DRILLED SWING-AWAY	70°	2.25"	8.25"	2.25"	8.25"
	2"	2.25"	11"	2.25"	11"
			13"		13"
	4"	2.25"	8.25"	2.25"	8.25"
			11"		11"
	13"	13"	13"	13"	
FRONT DRILLED LIFT-OFF	70°	2.25"	8.25"	2.25"	8.25"
	2"	2.25"	11"	2.25"	11"
			13"		13"
	4"	2.25"	8.25"	2.25"	8.25"
			11"		11"
	13"	13"	13"	13"	
ADJUSTABLE SWING-AWAY	60°	2.25"	8.25"	2.25"	8.25"
	SHORT	2.25"	12.5"	2.25"	11.5"
			14.5"		13.5"
			16.5"		15.5"
	MEDIUM	2.25"	12.25"	2.25"	11.75"
			14.25"		13.75"
16.25"			15.75"		
LONG	2.25"	12.5"	2.25"	11.5"	
		14.5"		13.5"	
		16.5"		15.5"	
70°	2.25"	8.25"	2.25"	8.25"	
SHORT	2.25"	12.25"	2.25"	11.75"	
		14.25"		13.75"	
		16.25"		15.75"	
MEDIUM	2.25"	12.5"	2.25"	11.5"	
		14.5"		13.5"	
		16.5"		15.5"	
LONG	2.25"	12.25"	2.25"	11.75"	
		14.25"		13.75"	
		16.25"		15.75"	

ZIPPIE TS

WEIGHT: 29 lbs. (without footrests)
WEIGHT CAPACITY: 150 lbs.
ACTUAL MEASUREMENTS MAY VARY ACCORDING TO THE CHAIR CONFIGURATION AND ACCESSORIES.
PLEASE CONSULT ORDER FORM FOR COMBINATIONS AND RESTRICTIONS.
SPECIFICATIONS SUBJECT TO CHANGE WITHOUT NOTICE.



E. OVERALL WIDTH (With Flip-Up Armrests)

FRAME WIDTH	10"	11"	12"	13"	14"	15"	16"
MAG/SPOKE WHEEL, QUICK-RELEASE AXLES & ALUMINUM HANDRIMS	18.25"	19.25"	20.25"	21.25"	22.25"	23.25"	24.25"