



QUICKIE²LITE

Everything you love about the Quickie 2 in a lightweight, simple package.

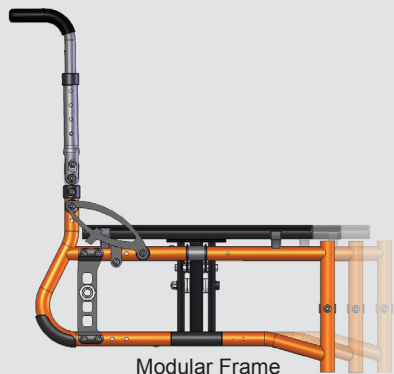


IT'S SIMPLE, NOTHING BEATS A QUICKIE



Nothing Beats a Quickie™

Our design teams thoroughly analyse the market and begin the design process by recognizing and responding to user needs. In development, we consider how the body interacts with the chair and how the two can work as one to maintain maximum efficiency, performance, style and fit for every user. At Quickie, the product undergoes rigorous testing. Through our focus on these core elements, we design highly intelligent wheelchairs that confidently receive the user's stamp of approval.



Modular Frame



Quickie 2 Lite Fixed Front



Redesigned Caster Housing

PERFORMANCE

Ultra lightweight: Overall Weight: 12 kgs (Fully loaded, No asterisks here!)

Q-Fit™ Technology: Achieve noise reduction via the Q-Fit technology. Q-Fit technology ensures a tight fit between components, thereby reducing the rattles that typically accompany a wheelchair. The padded swing-away armrest and the plastic sideguard both feature living spring receivers that are virtually wiggle-free.

Footrests: The footrest extension features anti-rotation receivers and a pressure-lock clamp that can withstand up to 454 kgs of force.

FIT

Modularity: Using the same guiding principles as the industry leading Quickie 2, the Quickie 2 Lite offers a highly-adjustable modular frame. If the chair needs to be expanded or lengthened, only select components need to be replaced, not the entire chair.

Quickie's True Fit Program: Standard with every chair order, the original owner is entitled to one free growth kit within the first 5 years of chair ownership. Growing a chair is as simple as a call to customer service.

STYLE

Curb appeal: The rounded rear frame, reduced side profile, Q-gusset, redesigned front caster housing and footplate give the Q2 Lite a smooth, contoured, and natural feel.

Colour options: Through our exclusive relationship with Kolorfusion™, we have added 2 new colours to the Kolorfusion colour palette. Check out our new Visual Option Guide on the website to find out what the new colours are!

SPECIFICATIONS

| | | |
|----------------------------|-------------------------------|-----------------------|
| Frame Style | Folding – open | |
| Transport Weight | 8 kgs (Fixed Front) | 9 kgs (Swing-away) |
| Overall Weight | 11.5 kgs (Fixed Front) | 12.5 kgs (Swing-away) |
| User Weight Capacity | 120 kgs | |
| Seat Widths | 35.5 cm - 51 cm (14" – 20") | |
| Seat Depth | 35.5 cm - 51 cm (14" – 20") | |
| Back Angle Adjustment | -14° – 5° | |
| Front Seat To Floor Height | 37 cm - 53 cm (14.5" – 21") | |
| Rear Seat to Floor Height | 33 cm - 49.5 cm (13" – 19.5") | |
| Frame Angle | 70°, 80° | |
| WARRANTY | | |
| Warranty | Limited/Lifetime | |



Sunrise Medical Pty Ltd
 Unit 10, 15 Carrington Road
 Castle Hill NSW 2154
 PO Box 8161
 BHBC NSW 2153
 Ph: (02) 8858 9191
 Fax: (02) 8850 4711
orders@sunrisemedical.com.au
www.sunrisemedical.com